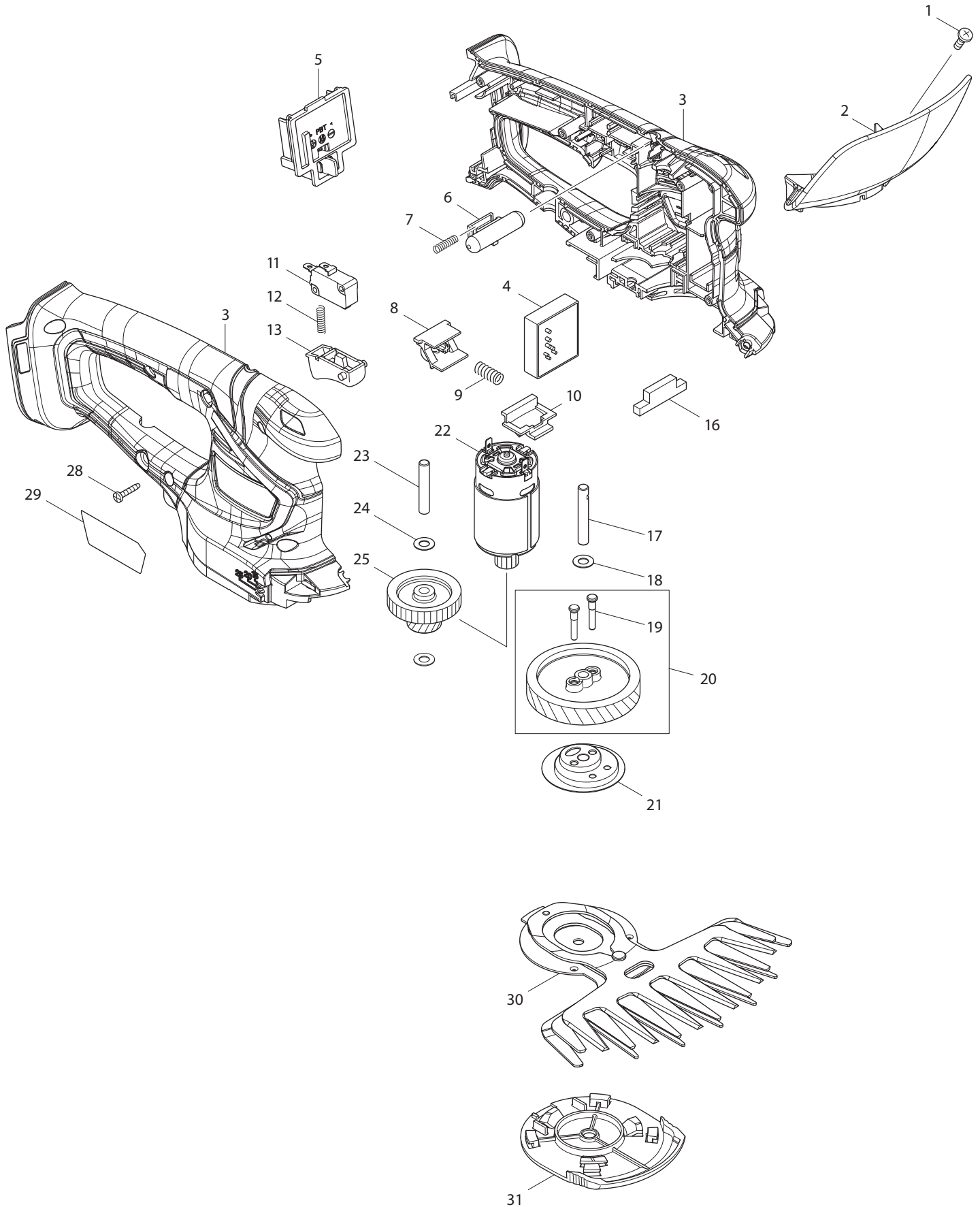




02 - 2017
DUM604Z
18V LXT 6-5/16" Grass Shear



PARTS LIST

Item No	Type	Part No	Description	Qty	Unit
001		915116-7	BINDING HEAD SCREW M4X12	1	PC.
002	2	140V98-8	PROTECTOR COMPLETE	1	PC.
002	2	INC. 812G28-6	CAUTION LABEL	1	PC.
003	2	183U53-1	* HOUSING SET	1	SET
003	2	INC. 346275-0	* PLATE	2	PC.
003	2	INC. 263005-3	* RUBBER PIN 6	2	PC.
003	2	INC. 931102-0	* HEX NUT M4	1	PC.
004	1	620647-0	CONTROLLER	1	PC.
004	2	620E35-1	CONTROLLER	1	PC.
005		643852-2	TERMINAL	1	PC.
006	1	452438-9	* LOCK OFF BUTTON	1	PC.
006	2	413A16-6	* LOCK OFF BUTTON	1	PC.
007		231473-8	COMPRESSION SPRING 4	1	PC.
008		457534-8	SLIDE PLATE	1	PC.
009		234339-1	COMPRESSION SPRING 6	1	PC.
010		454879-5	LOCK LEVER	1	PC.
011		650744-8	SWITCH D3V-16-3C26	1	PC.
012		231473-8	COMPRESSION SPRING 4	1	PC.
013		417564-1	SWITCH LEVER	1	PC.
016		451814-4	DUST GUARD	1	PC.
017		268254-7	PIN 6	1	PC.
018		253715-0	FLAT WASHER 6	1	PC.
019		268256-3	PIN 4	2	PC.
020		135883-0	HELICAL GEAR 47 ASSY	1	PC.
020	INC.		Item No. 19		
021		161598-3	CRANK COMPLETE	1	PC.
022		629943-3	DC MOTOR	1	PC.
023		268076-5	PIN 6	1	PC.
024		253715-0	FLAT WASHER 6	2	PC.
025		226831-1	GEAR 12-31	1	PC.
028		266429-2	TAPPING SCREW M3X16	6	PC.
029		853A12-6	NAME PLATE F/DUM604	1	PC.
030	2	195267-4	SHEAR BLADE ASSEMBLY F/GRASS SHEAR	1	PC.
030	2	INC. 961011-9	STOP RING E-4	1	PC.
030	2	INC. 188369-3	OIL VESSEL SET	1	PC.
031		140451-6	UNDER COVER COMPLETE	1	PC.
A01		452055-5	BLADE COVER, GRASS SHEAR	1	PC.
A02		457426-1	GRASS RECEIVER 160	1	PC.

Item No	Type	Part No	Description	Qty	Unit
A03B	2	198408-1	SHEAR BLADE ASSEMBLY F/HEDGE TRIMMER	1	PC.
A04B	1	198402-3	CHIP RECEIVER SET	1	PC.
A04B	2	198401-5	CHIP RECEIVER SET	1	PC.
A09B		452198-3	STORAGE CASE F/BLADE, CHIP RECEIVER, BLADE COVER	1	PC.
A10B		195274-7	BLADE COVER, HEDGE TRIMMER - PKG	1	PC.
A10B	1	451816-0	BLADE COVER, HEDGE TRIMMER - BULK	1	PC.
A11		198486-1	LONG HANDLE ATTACHMENT SET	1	PC.
A12		-----	18V LI-ION BATTERY		
A13		-----	BATTERY CHARGER		
A14		-----	LI-ION BATTERY ACCESSORIES		
A15		195269-0	ACCESSORY SET F/GRASS SHEAR	1	PC.
A15	INC.	325896-1	BASE FRAME	1	PC.
A15	INC.	451813-6	CHANGE LEVER	1	PC.
A15	INC.	452055-5	BLADE COVER	1	PC.

SERVICE CHANGES

1. Changes on Housing and Lock Off Button

(TI# DB439)

Item No.	Description	Type 1	Type 2
3	HOUSING SET	183G03-2	183U53-1
6	LOCK OFF BUTTON	452438-9	413A16-6

Above parts are completely interchangeable as a set.